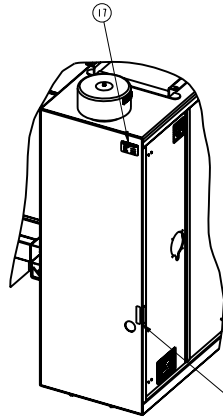


THIS PRINT CONTAINS CONFIDENTIAL INFORMATION AND IS THE SOLE PROPERTY OF MAINTAINER CORP. OF IOWA, INC. AND IS NOT TO BE COPIED OR REPRODUCED WITHOUT THE EXPRESSED WRITTEN PERMISSION OF MAINTAINER CORP. OF IOWA, INC.

DATE	LEVEL	REVISION RECORD	AUTHORITY	DR	CHK
3/6/79	A	DRAWING RELEASED	-	MEA	NDS
8/11/89	B	MOVED DECAL FROM CAP TO SIDE	-	MEA	KLV
8/12/89	C	REORIENT FRONT CORNER REFLECTOR	-	MEA	KLV
8/17/89	D	ADDED METAL SERIAL TAGS #01268	-	NDS	KLV
11/17/89	E	UPDATED DECAL DESCRIPTIONS THAT WERE INCORRECT	-	NDS	KLV
4/18/12	F	UPDATED WITH NEW CRANES, MOVED REFLECTORS	-	MEA	KLV
11/30/12	G	ADDED 015953 PSS DECALS	-	R.W	KLV
7/3/15	H	UPDATED DECALS & LOCATIONS	-	DMJ	KLV
6/15/15	I	007424 MOVED FROM O.R. SIDE TO CAP	-	DMJ	KLV

ONE 007424 DECAL TO BE APPLIED ON FRONT BUMPER

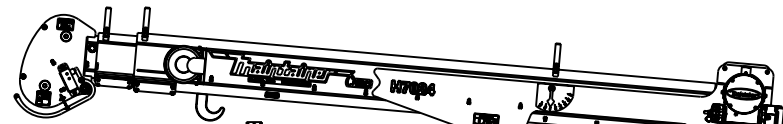


APPLY TO UPPER RIGHT CORNER OF DOOR WHEN FIRE EXTINGUISHER IS IN COMPARTMENT

APPLY TO LOWER RIGHT CORNER OF CHASSIS DOOR WHEN EXTINGUISHER IS IN CHASSIS CAB

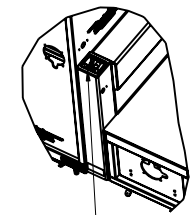
SCALE 27:320

REFLECTOR DECAL TO BE 3.0" MIN FROM LIGHT



PTO OPERATION DECALS ONLY NEEDED WHEN DRIVE SHAFT IS PRESENT. APPLY ACCORDING TO PTO MANUFACTURER. 1X ADDITIONAL DECAL APPLIED TO THE FRONT BUMPER

FRL MAINTENANCE DECAL LOCATED INSIDE COMPARTMENT NEAR FRL

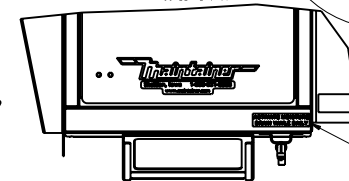


ON OUTRIGGER TUBE CAP

FOR DECALS LOCATED ON CRANE SEE CORRESPONDING CRANE DECAL PRINT:

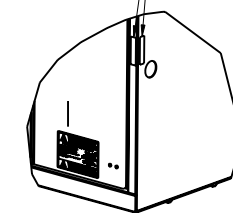
009243-DECAL	1115TT
009241-DECAL	1115ST
014185-DECAL	H6520TT
014308-DECAL	H6520ST
013260-DECAL	H7024TT
013259-DECAL	H7024ST
015001-DECAL	H10025TT
015003-DECAL	H10025ST
015000-DECAL	H10034TT
015002-DECAL	H10034ST
016944-DECAL	H12025TT
017316-DECAL	H14025TT

DETAIL B
SCALE 27:160



CS FRONT CORNER SHOWN USE ITEM #009356, CUT IN HALF AND APPLY AS SHOWN. REPEAT ON SS FRONT CORNER

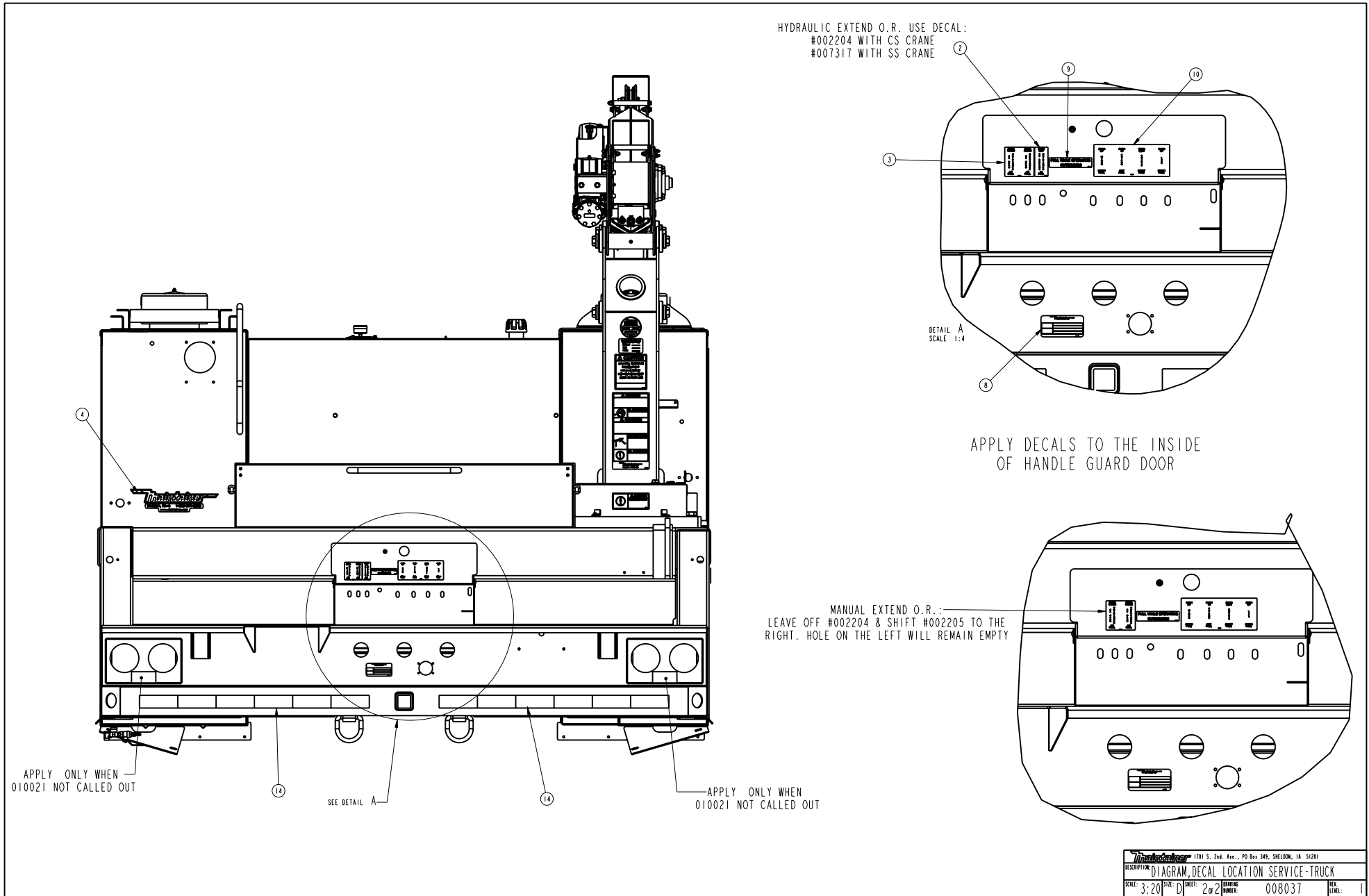
SCALE 1:8



ALTERNATE LOCATION: ON TUBE UNDER CRANE

QTY	DESCRIPTION	PART NUMBER	ITEM
1	INT0251T-2-120	00045	20
2	DECAL PSS PATENTED	015953	19
3	DECAL DRIVE LINE WARNING PTO	015372	18
1	DECAL METAL SERIAL NUMBER ADHESIVE BACK	011268	17
1	DECAL FIRE EXTINGUISHER INSIDE 4X4 RED/WH	011212	16
2	CAP OUTRIGGER COMPOSITE 2x5	010567	15
2	TAPE RED/SILVER REFLECTIVE	010021	14
1	DECAL MOISTURE DRAIN	008660	13
2	REFLECTOR AMBER STICK-ON RECTANGULAR GROTE	009356	12
6	REFLECTOR RED STICK-ON RECTANGULAR GROTE	009355	11
1	DECAL BASIC BEAR CRANE FUNCTION SDF	008665	10
1	DECAL PULL WHILE OPERATING OUTRIGGERS	008436	9
1	DECAL HITCH WARNING	008255	8
2	DECAL OUTRIGGER STAND CLEAR WARNING	007425	7
4	DECAL CRANE ELECTROCUTION HAZARD	007424	6
1	DECAL FRL MAINTENANCE	007238	5
3	DECAL MAINTAINER W/PHONE MEDIUM	002264	4
1	DECAL BASIC REAR OUTRIGGER FUNCTION	002205	3
1	DECAL HYD CS OUTRIGGER EXTEND	002204	2
1	DECAL NOTICE THIS VEHICLE START STOP	000127	1

00037	DESCRIPTION	PART NUMBER	ITEM
1	UNLESS OTHERWISE SPECIFIED DIMENSIONS ARE IN INCHES	007424	310309
2	TOLERANCE ON ANGLES ±2° 2 PL ±0.014 3 PL ±0.010	007424	310309
1	INTERPRET DIMENSION AND TOLERANCE AS PER ASME Y14.5M 1994	007424	310309
1	DATE:		
1	1701 S. 2nd. Ave., PO Box 349, SHELBOURN, IA 51201		
DESCRIPTION: DIAGRAM, DECAL LOCATION SERVICE-TRUCK			
SCALE: 27:320	DATE: D	1 of 2	008037
			REV. LEVEL: I



1701 S. 2nd. Ave., PO Box 349, SHELDON, IA 51201			
DESCRIPTION: DIAGRAM, DECAL LOCATION SERVICE-TRUCK			
SCALE: 3:20	EST: D	SHEET: 2 of 2	DATE: 008037
REV. LEVEL: 1			