

34' HYDRAULIC  
**REACH**

10,000 LB.

**MAXIMUM**

75,000 ft-lb

**CAPACITY**



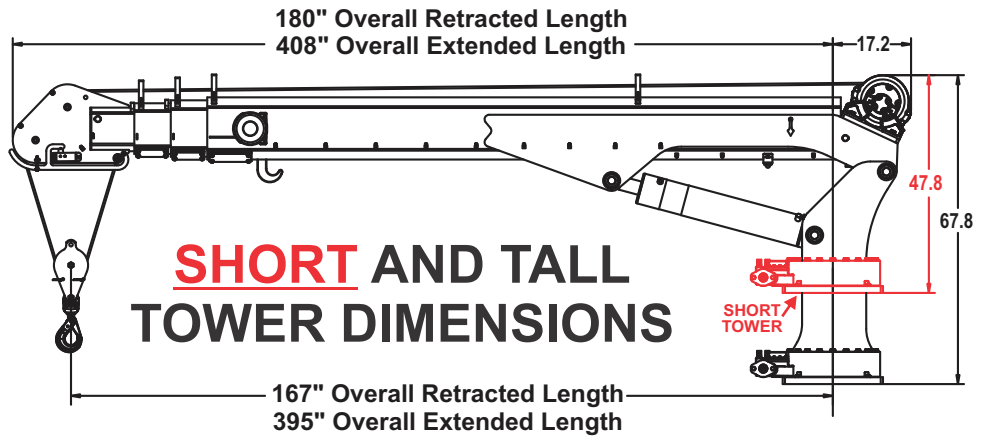
**Maintainer**

**H10034 CRANE**

[www.maintainer.com](http://www.maintainer.com)

800-831-8588

# specifications



- 2486 lbs. (998 KGS)
- 22" x 22" Mounting Space Required
- Mounting requires (8) 7/8-9 (GRD-8) bolts
- Hydraulic Requirements: 10-12 GPM@3000 PSI

## ratings

## features



- 10,000 lb. max. capacity
- 75,000 ft-lb capacity
- 34' hydraulic reach
- Advanced Crane Control- standard
- Boom-Mounted planetary winch
- Dual part line standard - single part capable
- Total operational range 91° (-13 to +78)
- Low profile double sheave design
- Anti-Two block
- User-Friendly load block storage
- 140' of 3/8" diameter wire rope
- 615° of rotation
- Hexagonal boom
- Tall and short tower configurations
- Closed-center/load sensing hydraulic system (open center optional)
- OSHA 1910.180/ANSI B30.5 compliant
- Planetary winch - standard
- Wireless remote - standard



## H10034 CRANE CAPACITY CHART

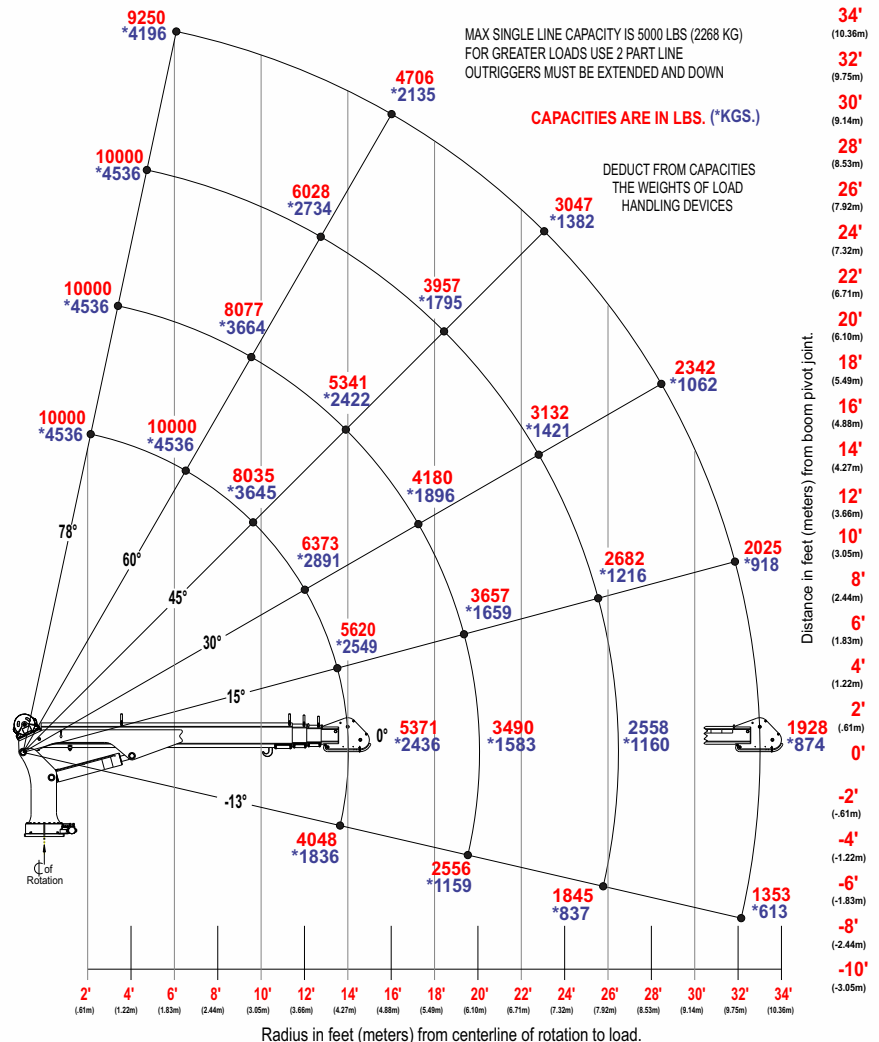
HYDRAULIC EXTENSION TO 34'

75,000 FT\*LB CRANE RATING

MAX SINGLE LINE CAPACITY IS 5000 LBS (2268 KG)  
FOR GREATER LOADS USE 2 PART LINE  
OUTRIGGERS MUST BE EXTENDED AND DOWN

CAPACITIES ARE IN LBS. (\*KGS.)

DEDUCT FROM CAPACITIES THE WEIGHTS OF LOAD HANDLING DEVICES



WWW.

**Maintainer.com**

**MAINTAINER CORPORATION OF IOWA, INC.**  
1701 2nd Avenue | Sheldon, Iowa 51201 | Ph: 800-831-8588